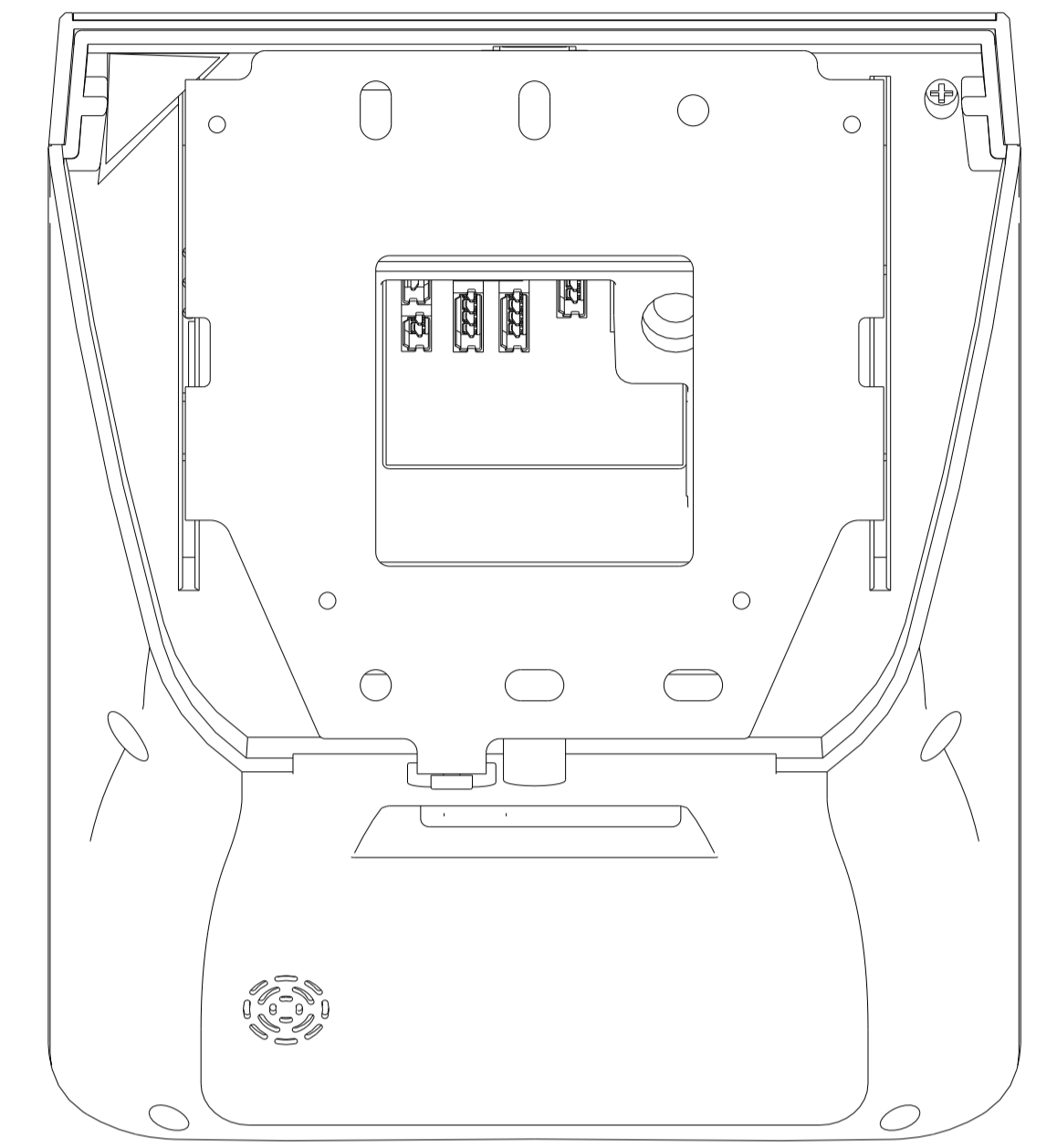
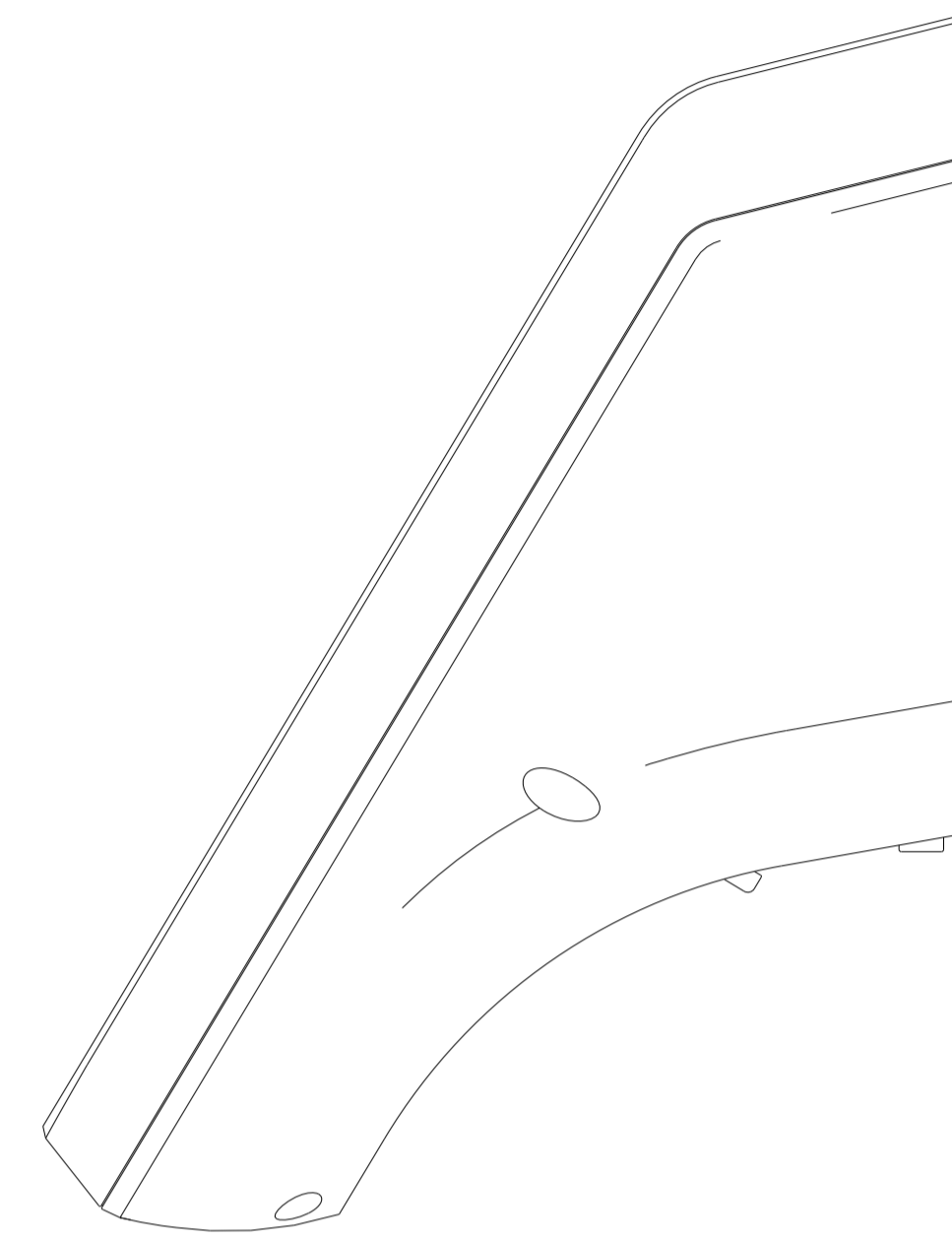
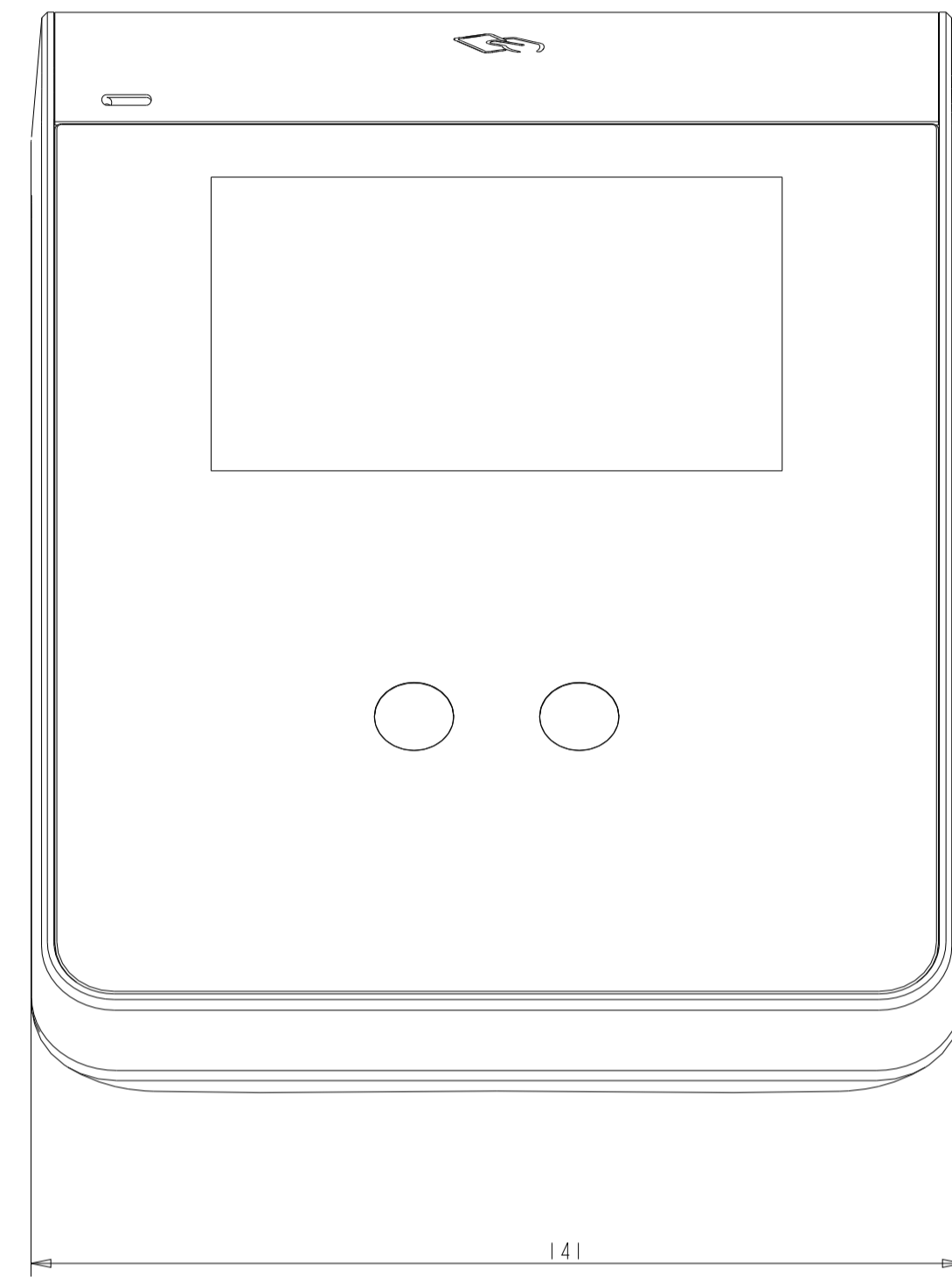
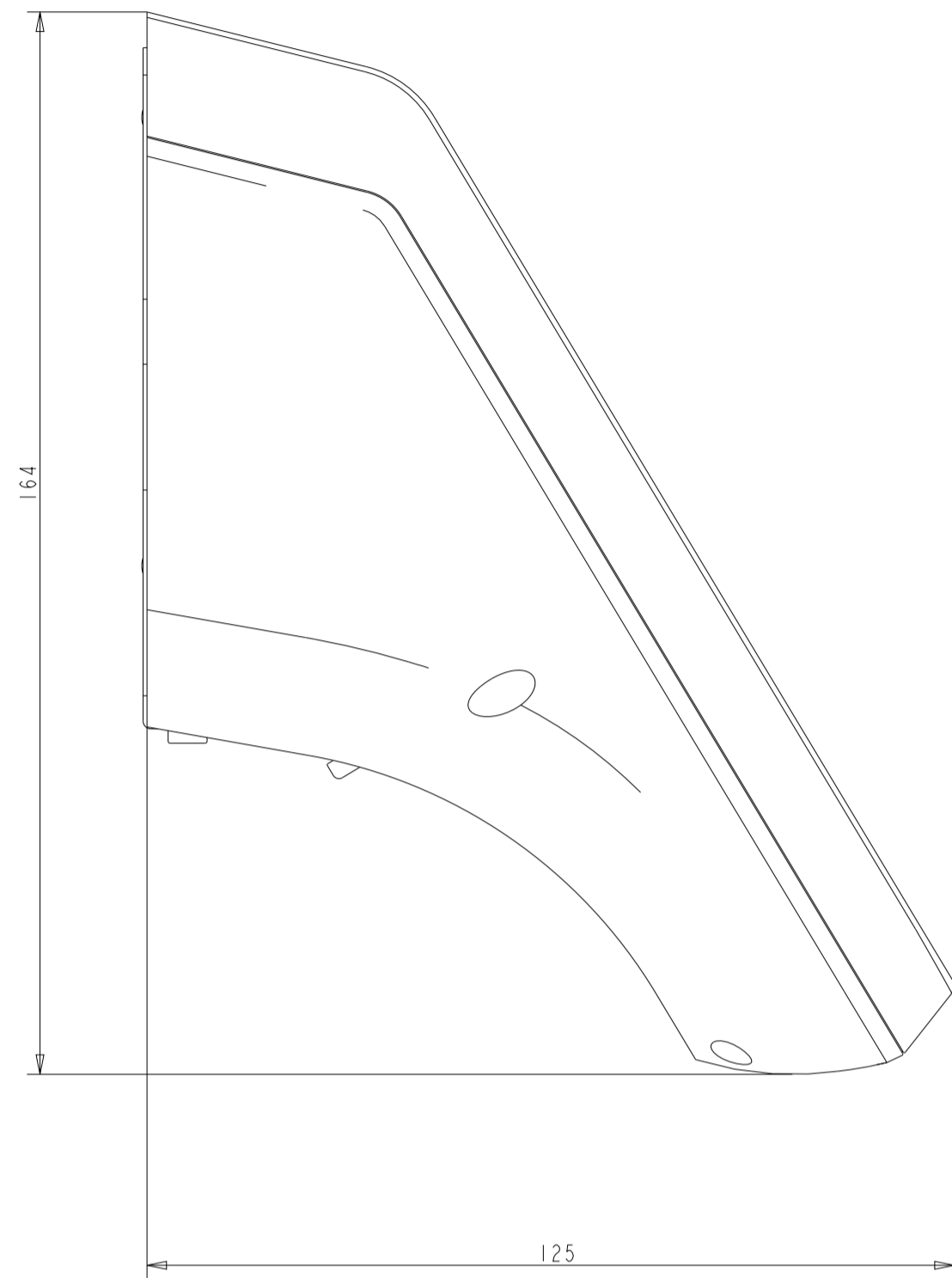

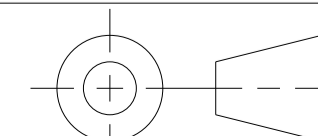


REVISION HISTORY - SHEETS ARE SAME REVISION STATUS				
REV.	DESCRIPTION	ECN #	APPROVER	DATE
px)	(eco no) 1. #15 번 치수 12±0.05 --> 12±0.1 변경			



SUPREMA CONFIDENTIAL RESTRICTED		DESIGNED BY					
COPYRIGHT 2017 SUPREMA		JONGWOO LEE/2017,03,04					
INFORMATION CONTAINED ON ALL SHEETS OF THIS PRINT CANNOT BE REPRODUCED OR USED, IN WHOLE OR IN PART, WITHOUT SUPREMA INC. CONSENT. THIS NOTICE DOES NOT IMPLY PUBLICATION.		DRAWN BY		TITLE FACE STATION2			
		JONGWOO LEE/2017,03,04					
		APPROVED BY					
THIRD ANGLE PROJECTION				SIZE	CAGE CODE	DWG NO	REV
				A1			A
				SCALE: 1/1	UNIT:mm	SHEET 1 OF 1	